

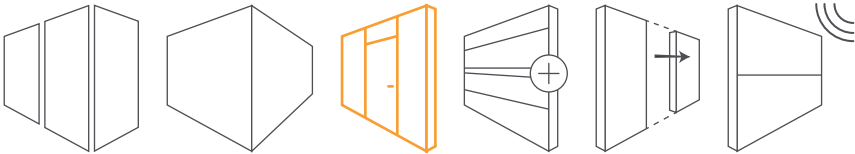
Door Systems

T.H.E DOOR

AK 25

AK 50

AK 75



THE DOOR

Door Systems

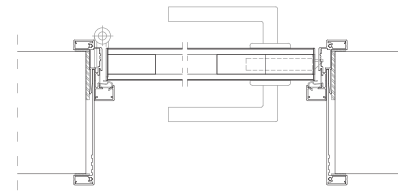
THE DOOR is the aluminium frame system for fixed doors.

Stylish and dynamic appearance of the collection and varieties of frame design ensures elegance and practicability in rooms as well as giving them a new style.

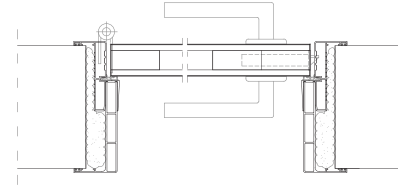
The system is designed to tolerate thickness in the range of 100 - 300 mm and it is available in three different design. Wide (AK 75), Standard (AK 50) and Slim (AK 25).



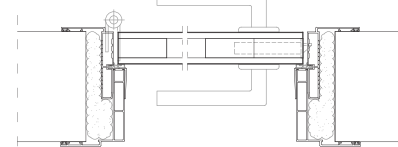
AK 25



AK 50



AK 75



Design

Two pieces aluminium frame design

Finish

Aluminium anodized / powder coated

Element types

Solid door / glass door / aluminium framed glass door

Wall thickness

100 mm - 300 mm

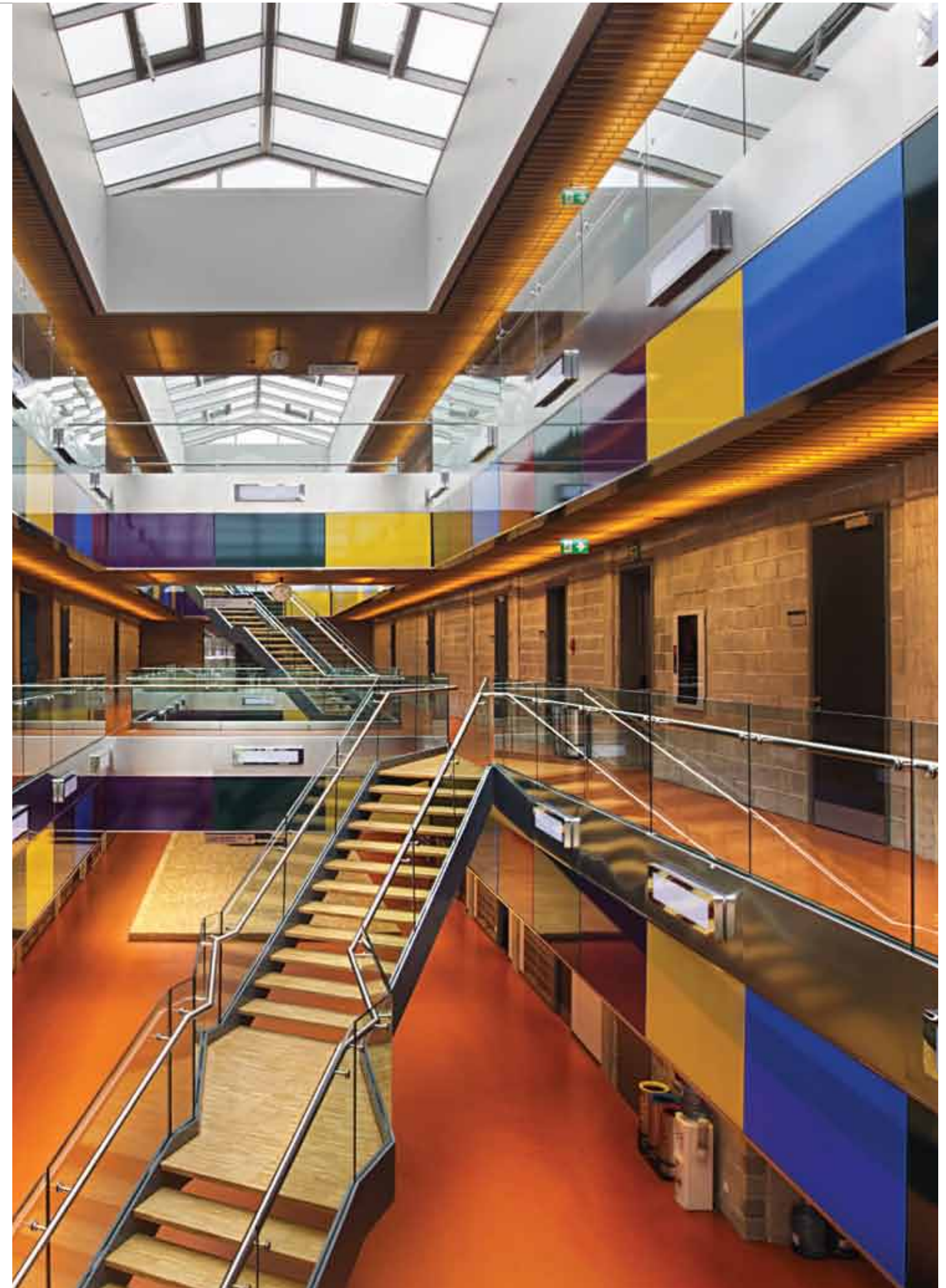
Door leaves

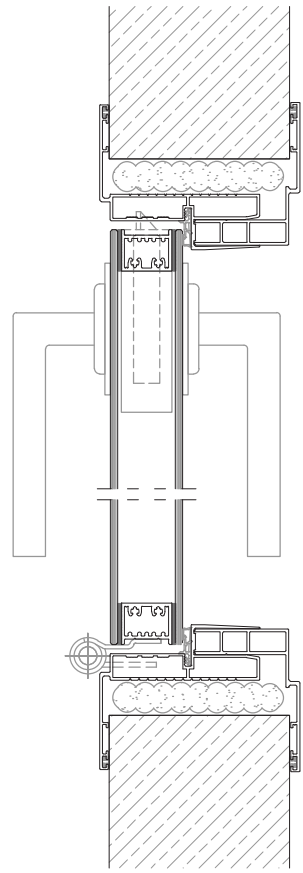
HPL - veneered solid door

8/10 mm glass door

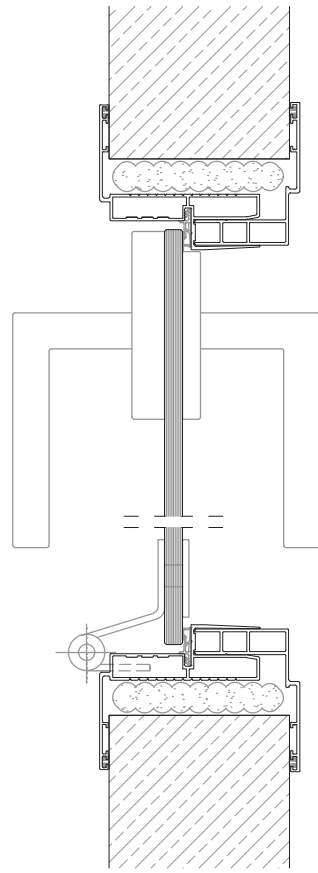
Aluminium framed single glass door

Aluminium framed bonded double glass door

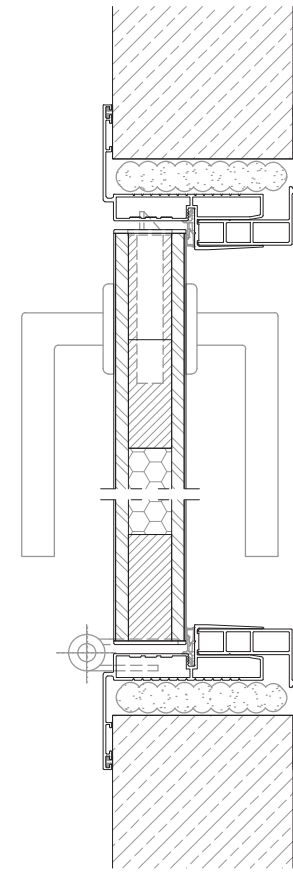




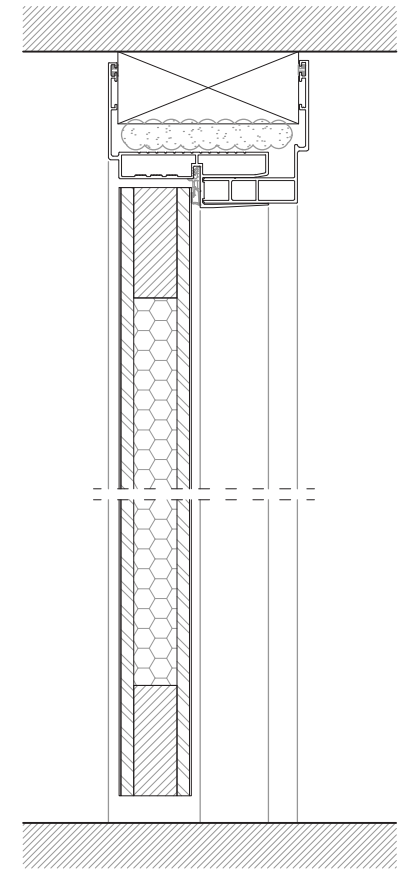
AK 75 - 40mm bonded double glazed door



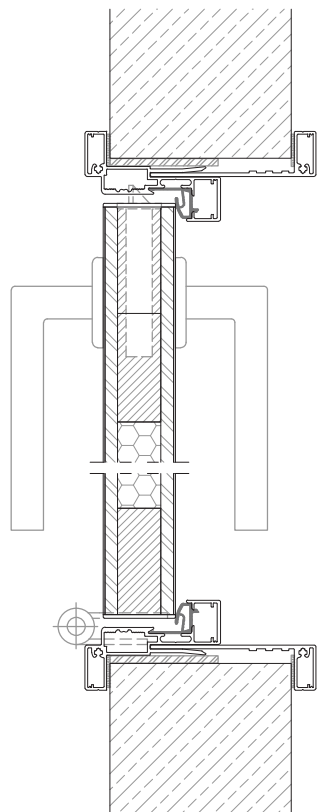
AK 75 - Fully glass door



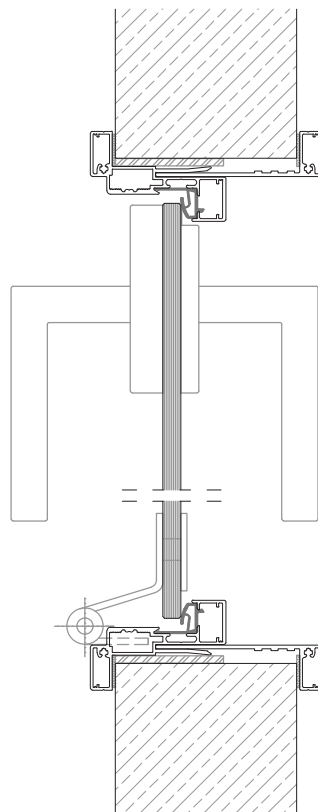
AK 75 - Solid door



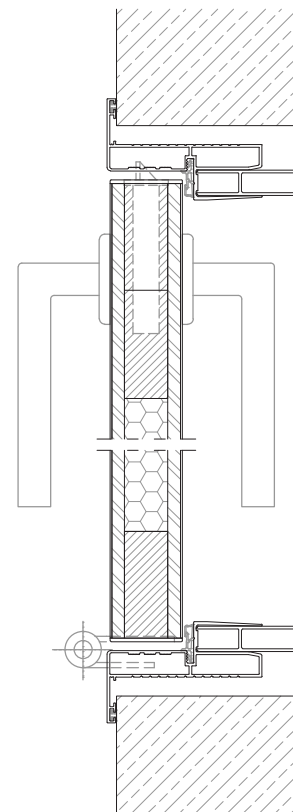
AK 75 - Solid door vertical section



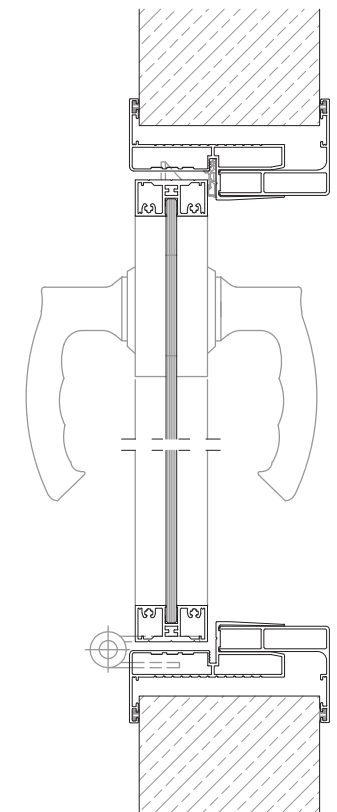
AK 25 - Solid door



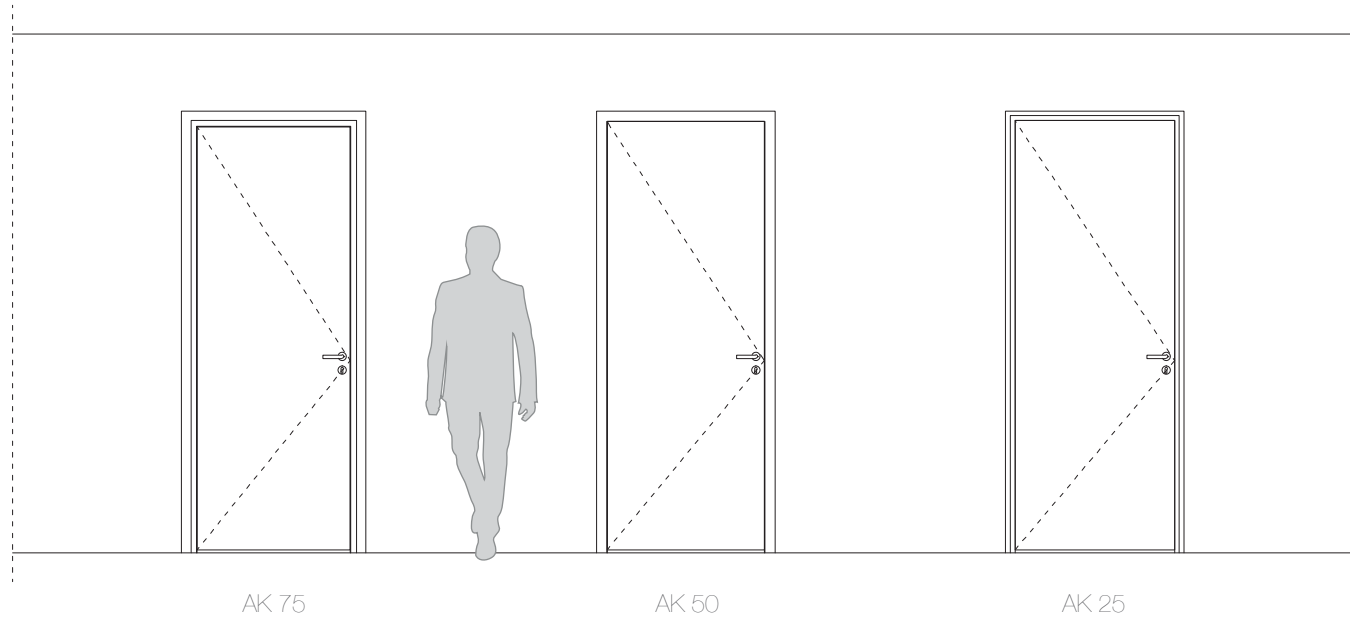
AK 25 - Fully glass door



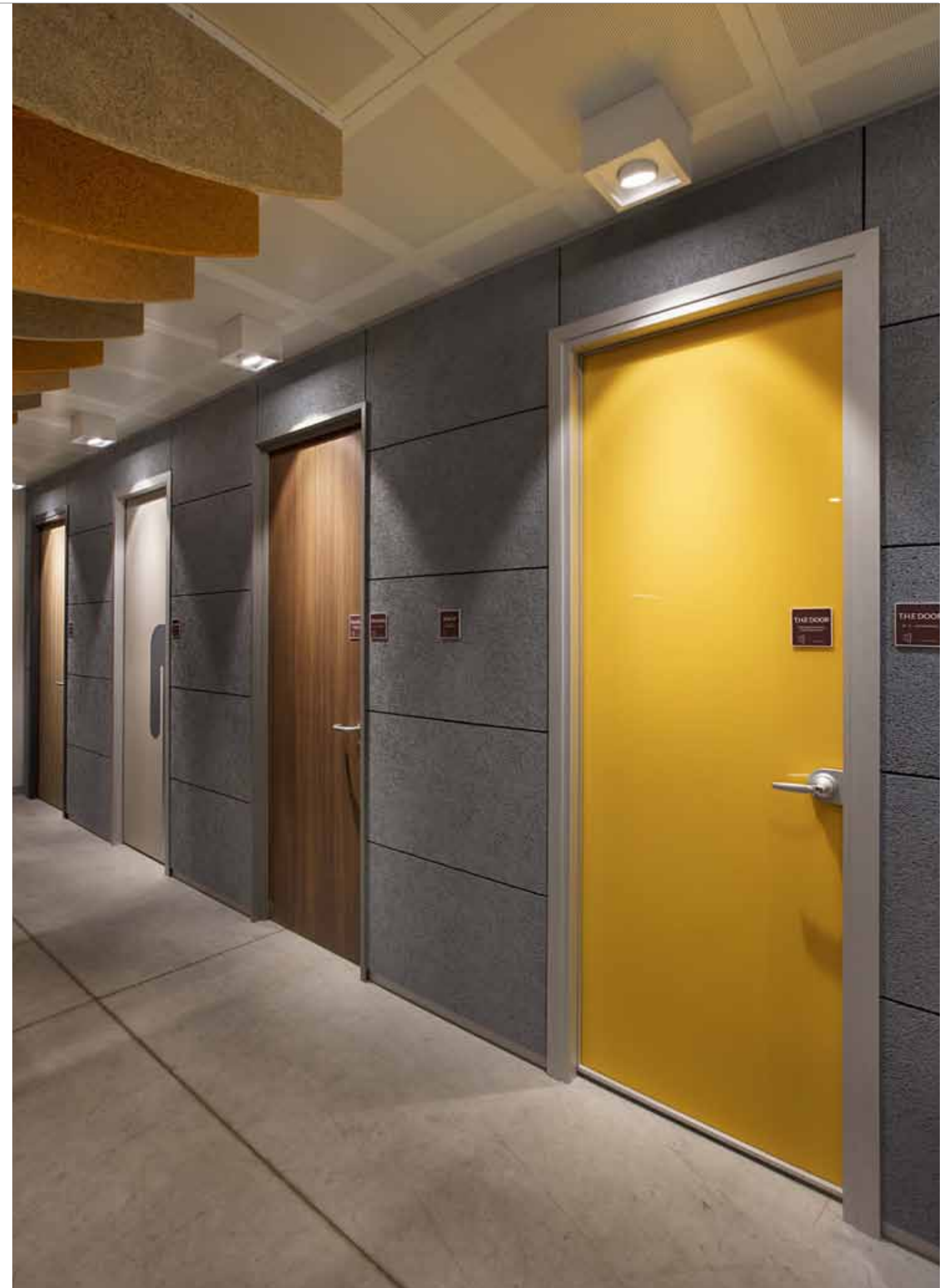
AK 50 - Aluminium framed glass door



AK 50 - Aluminium framed glass door



Door systems	
Dimensions	Dependent on construction
Wall thickness	100 - 300 mm / All intermediate dimensions
Typology	AK - 75 / AK - 50 / AK - 25
Widths	900 mm / All intermediate dimensions
Heights	2200 mm / All intermediate dimensions up to 3500 mm.
Tolerances	- / + 15 mm for AK - 75 - / + 8 mm for AK - 50 - / + 4 mm for AK - 25
Weights	25 kg
Profile thickness	1,8 mm / Except borders all details are made of double walled profiles
Hinge	Adjustable hinges - Hinge shaft thickness is 16 mm
Profile	Aluminium, E6/EV1 anodised or powder coated
Door stile	Made of oven dried 28*42 mm finger joint fir of ladin plates
Door leaves	HPL / Veneered / Lactquered door leaf - 4 sided and middle parts are double stile with honeycomb filler inner core, covered by 6 mm MDF / 8-10-12 toughened or laminated glass door / aluminium framed single glass door / aluminium framed bonded double glass door
Door Handles	TRIMline "L" shaped SS handles / Other alternatives according to custome's choice
Other accessories	According to customer's choice door closer - magnetic lock etc. + bespoke.



Tirim İnşaat Mimarlık A.Ş.
www.trimline.com.tr
info@trimline.com.tr

Headquarter / Showroom
Esentepe Mh. Kelebek Sok. Marmara Kule
A Blok N.2 K.13 D.105 Kartal / İstanbul
T +90 216 572 70 20
F +90 216 573 34 35

Factory
1. Organize Sanayi Bölgesi,
Gaziosmanpaşa Mah. Savaştepe Yolu,
2.Cad. No.13 Altıeylül / Balıkesir / Turkey
T +90 266 281 12 12
F +90 266 281 12 97

TRIMline[®]
interiors

■ Partition Wall Systems
■ Wood Systems